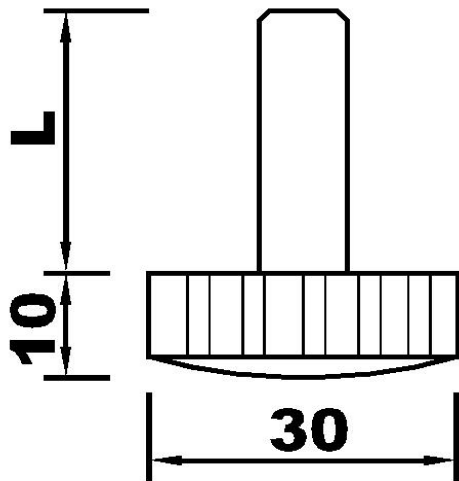


ALF 15

ALF 15

A small adjustable leveling foot made out of high density polypropylene. Designed for light to medium loads in commercial, retail and domestic applications. Available in a number of lengths and with a variety of options.



<u>MODEL No.</u>	<u>THREAD</u>	<u>L</u>
ALF15-815	M8	15mm
ALF15-820	M8	20mm
ALF15-825	M8	25mm
ALF15-835	M8	35mm
ALF 15-845	M8	45mm
ALF 15-1035	M10	35mm

TECHNICAL DETAILS:

MATERIAL:	HDPE (zinc plated bolt)
COLOUR:	Black standard . Custom colors consult factory.
OPTIONS:	A standard slit in in the thread end .(add - s to part no.)
APLICATIONS:	Office furniture, shelving systems, outdoor furniture, DIY projects etc.

