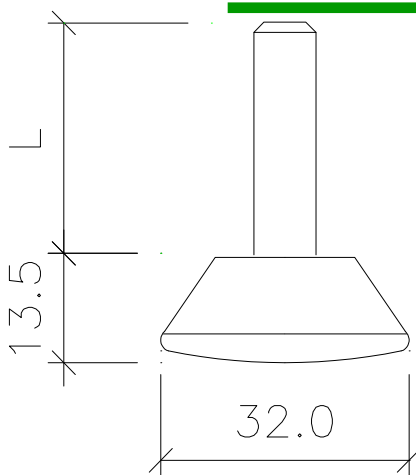


ALF 16

ALF 16

A small adjustable leveling foot made out of polypropylene. Designed for light to medium loads in commercial, retail and domestic applications. Ideally suited for shelving, racking, outdoor furniture and a variety of other applications. Available in a number of lengths and with a variety of options.



<u>MODEL No.</u>	<u>THREAD</u>	<u>L</u>
ALF16-1020	M10	20mm
ALF16-1025	M10	25mm
ALF16-1035	M10	35mm
ALF 16-1045	M10	45mm

TECHNICAL DETAILS:

MATERIAL:	PE (zinc plated bolt)
COLOUR:	Black standard . Custom colors consult factory.
OPTIONS:	A standard slit in in the thread end.
APPLICATIONS:	Furniture, shelving systems, outdoor furniture, DIY projects etc.

