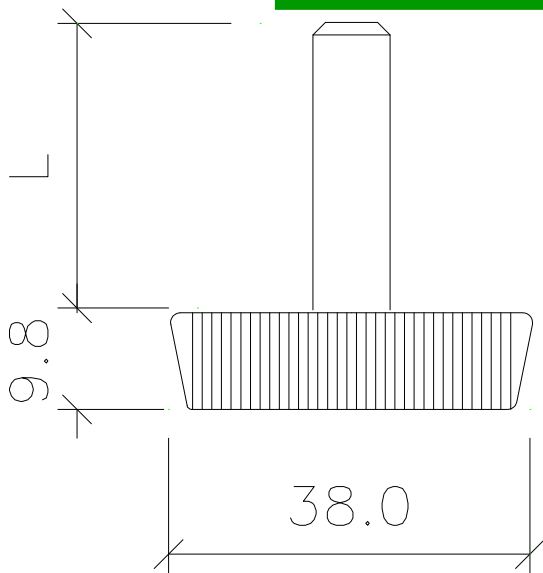


ALF 20

ALF 20

A medium sized adjustable leveling foot made out of polypropylene. Large loading area provides excellent stability. Designed for medium to large loads in commercial, retail and domestic applications. Ideally suited for shelving, racking, medical and a variety of other applications. Available in a number of lengths and with a variety of options.



<u>MODEL No.</u>	<u>THREAD</u>	<u>L</u>
ALF20-820	M8	20 mm
ALF20-825	M8	25 mm
ALF20-845	M8	45 mm
ALF20-1020	M10	20 mm
ALF20-1025	M10	25 mm
ALF20-1045	M10	45 mm
ALF20-1065	M10	65 mm

TECHNICAL DETAILS:

MATERIAL:	PE (zinc plated bolt)
COLOUR:	Black standard . Custom colors consult factory.
OPTIONS:	A standard slit in in the thread end .(add - s to part no.)
APPLICATIONS:	Furniture, Office furniture, Shelving systems, Instrumentation, Medical equipment, Tables, DIY projects etc.

