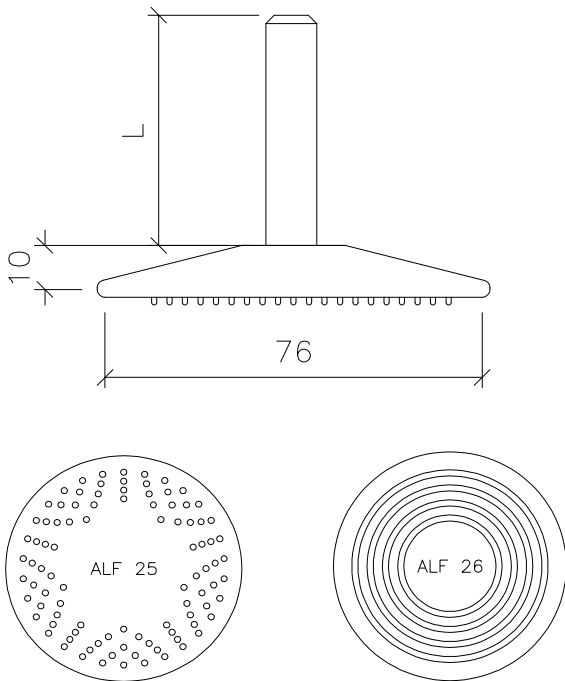


ALF 25/26

ALF 25/26

A large sized adjustable leveling foot made out of polypropylene. Large loading area provides excellent stability. Designed for medium to large loads in commercial, retail and domestic applications. Ideally suited for shelving, racking, office furniture and a variety of other applications. Available in a number of lengths and with a variety of options.



<u>MODEL No.</u>	<u>THREAD</u>	<u>L</u>
ALF25-820	M8	20 mm
ALF25-1025	M10	25 mm
ALF25-1045	M10	45 mm
ALF25-1225	M12	25 mm
ALF25-1245	M12	45 mm

TECHNICAL DETAILS:

MATERIAL:	Polypropylene (zinc plated bolt)
COLOUR:	Black standard . Custom colors consult factory.
OPTIONS:	None
APPLICATIONS:	Furniture, Office furniture, Shelving systems, Screens, Tables, DIY projects etc.

