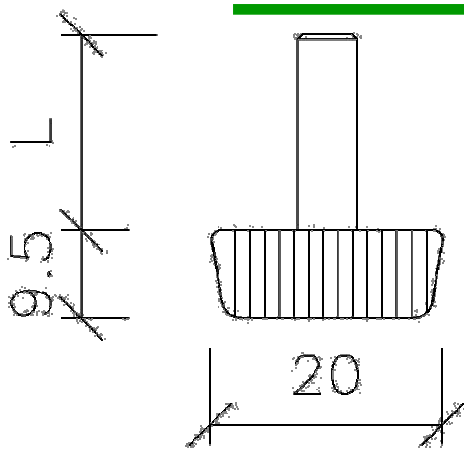
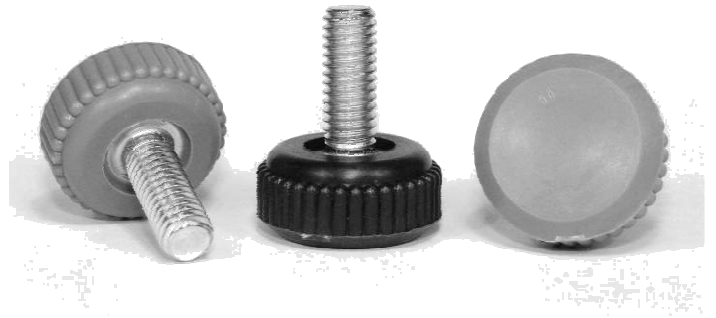


ALF 28

ALF 28

A extremely small Leveling foot designed for a variety of locking and holding applications. The serrated body provides a high torque hold with a minimum of effort. Designed for display systems, promotional items etc. The slim design of ALF28 means it can be used as a concealed leveling foot.



<u>MODEL No.</u>	<u>THREAD</u>	<u>L</u>
ALF28-615	M6	15 mm
ALF28-620	M6	20 mm
ALF28-625	M6	25 mm

TECHNICAL DETAILS:

MATERIAL:	Polypropylene (zinc plated bolt)
COLOUR:	Black standard . Custom colors consult factory.
OPTIONS:	Stainless steel bolt (-ss)
APPLICATIONS:	Display system, Promotional items, DIY projects etc.

