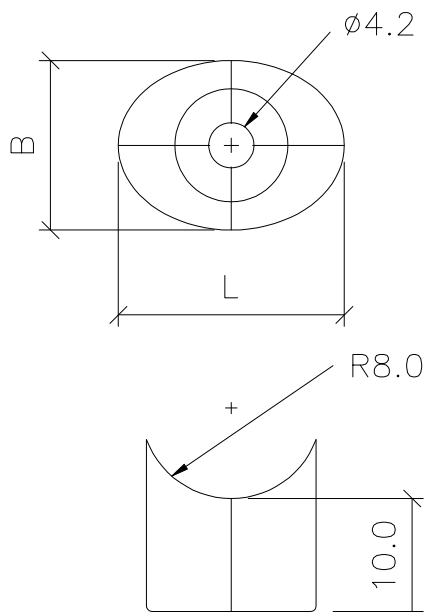
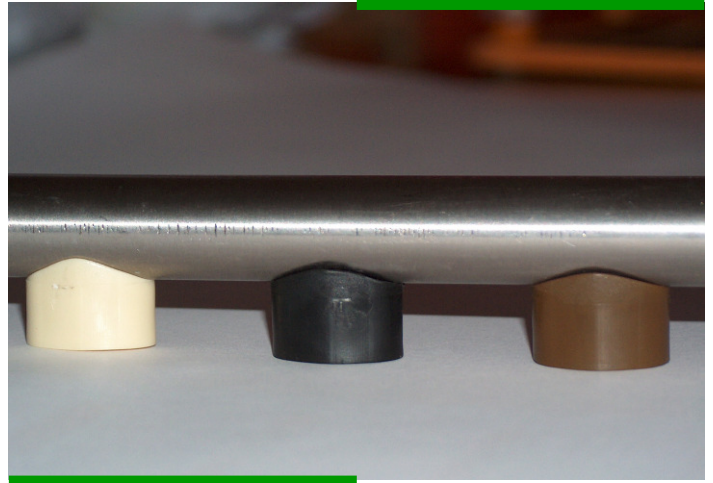


ALF 29

ALF 29

A small glide made for fitting to horizontal chair legs. Fitting is accomplished by pop riveting the glide to the chair tube with a standard 4.2mm x 10mm pop rivet



<u>MODEL</u>	<u>Tube</u>	<u>L</u>	<u>B</u>
ALF29-16	Ø16	20mm	15mm
ALF29-19	Ø19	20mm	15mm

TECHNICAL DETAILS:

MATERIAL: Polypropylene

COLOUR:

Black standard . Custom colors consult factory.

OPTIONS:

none

APPLICATIONS:

Chairs

