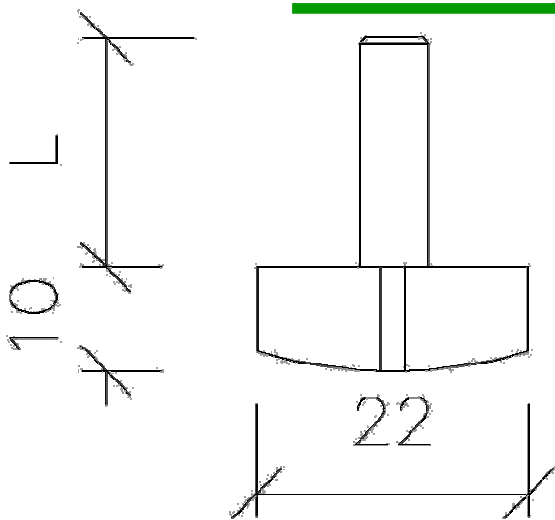


ALF 30

ALF 30

A small thumbscrew designed for a variety of locking and holding applications. The ergonomically designed body provides a high torque hold with a minimum of effort. Designed for display systems, adjustable shelving items etc.



<u>MODEL No.</u>	<u>THREAD</u>	<u>L</u>
ALF30-615	M6	15 mm
ALF30-620	M6	20 mm
ALF30-625	M6	25 mm

TECHNICAL DETAILS:

MATERIAL:	Polypropylene (zinc plated bolt)
COLOUR:	Black, Gray standard. Custom colors consult factory.
OPTIONS:	Stainless steel bolt (-ss)
APPLICATIONS:	Display system, Promotional items, DIY projects etc.

