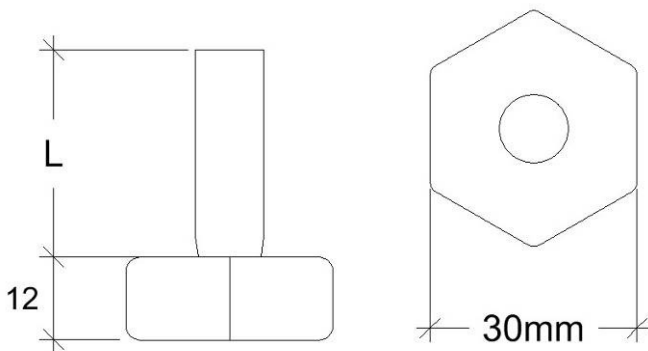


# ALF 36

## ALF 36

A hexagon shaped leveler designed to take high loads. The leveler is designed to be adjusted with a 30mm spanner. Typical applications for ALF36 include fridges, shelving and workbenches.



<u>MODEL No.</u>	<u>THREAD</u>	<u>L</u>
ALF36-835	M8	35 mm
ALF36-1035	M10	35 mm
ALF36-1045	M10	45 mm

## TECHNICAL DETAILS:

<b>MATERIAL:</b>	Polypropylene (zinc plated bolt)
<b>COLOUR:</b>	Black standard . Custom colors consult factory.
<b>OPTIONS:</b>	None
<b>APPLICATIONS:</b>	Display system, Fridges, shelving etc.

