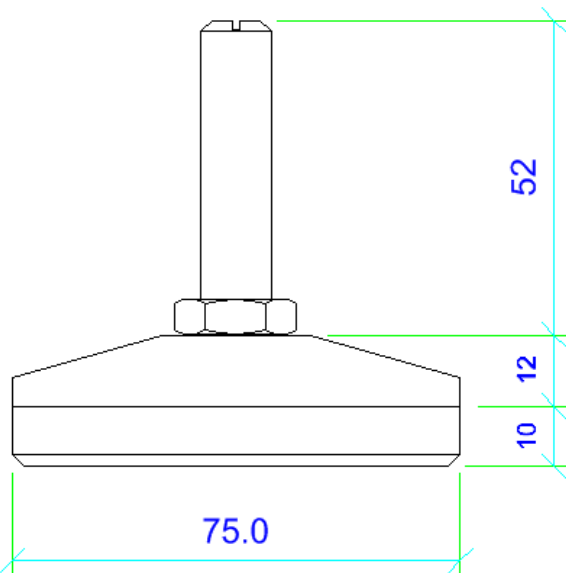


ALF 37

ALF 37

A Stainless steel load foot designed to be used on most commercial loadcells. Each foot has a load capacity of 500 kg. ALF 37 can be used on 4 loadcell platforms up to 1500kg. ALF37 can also be used on hopper and tank weighing applications. Each unit is supplied complete with a locknut.



<u>MODEL No.</u>	<u>THREAD</u>	<u>L</u>
ALF37-1255	M12	55 mm

TECHNICAL DETAILS:

MATERIAL:	Synthetic Rubber
Construction:	Electro polished Stainless Steel
OPTIONS:	None
APPLICATIONS:	Electronic 4 loadcell platform scales up to 1500kg

