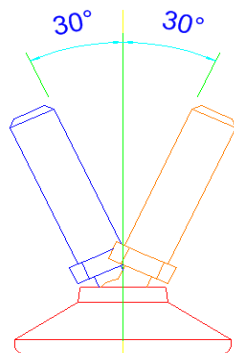
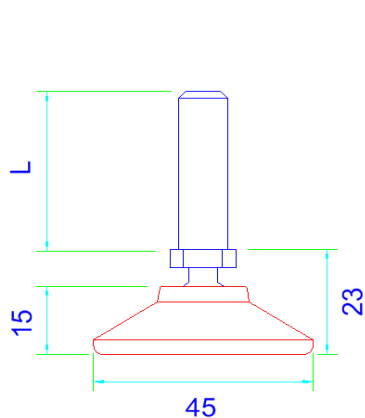


ALF 45

ALF 45

A adjustable leveling foot with a swivel mechanism. ALf45 is capable of swiveling by up to 30 degrees in any direction. Alf 45 is especially designed for angled furniture legs. The self-aligning base of ALF45 also makes it suitable for objects that regularly relocate.



<u>MODEL No.</u>	<u>THREAD</u>	<u>L</u>
ALF45-835	M8	35 mm
ALF45-1025	M10	25 mm
ALF45-1050	M10	50 mm

TECHNICAL DETAILS:

MATERIAL: Engineering polymer

COLOUR: Black

OPTIONS: A standard slit in in the thread end .(add -s to part no.) Stainless steel bolt.

APPLICATIONS: Furniture legs, chairs, tables etc.

